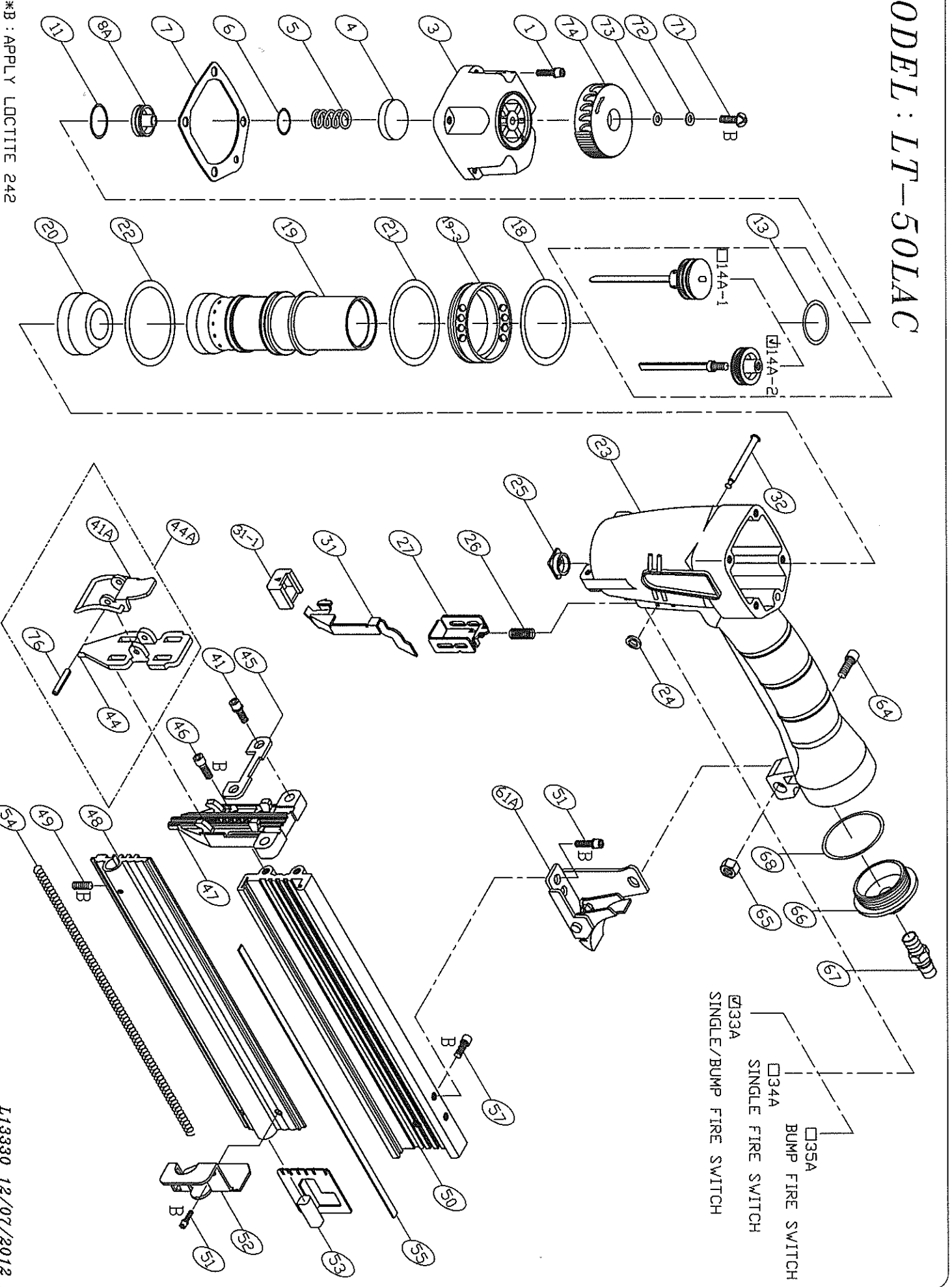


MODEL: LT-50LAC



*B: APPLY LOCTITE 242

L13330 12/07/2012